



Service unit 2-piece

Size 3

CL 33
G 1/2

CL 34
G 3/4

 0.5 to 10 bar
0.5 to 16 bar

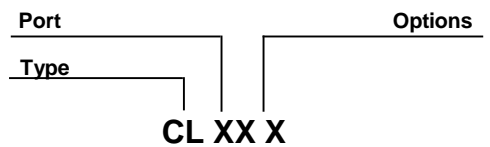

Characteristics

Type	CL 33 G 1/2	CL 34 G 3/4
Port	G 1/4	
Pressure gauge port	G 1/4	
Type of construction	-Diaphragm pressure regulator with self-relieving design -Centrifugal filter Sintered filter element - Proportional lubricator	
Input pressure p_1	Max. 16 bar with plastic bowl Max. 20 bar with metal bowl	
Input pressure p_1 with fully-automatic drain	Min. 1.5 bar Max. 16 bar	
Control range p_2	0.5 to 10 bar / 0.5 to 16 bar 0.1 to 3 bar / 0.2 to 6 bar on request	
Mounting position	Vertical, drain plug at bottom	
Mounting type	Bracket on regulator, hole $\varnothing 50.5$ Bracket and two through holes	
Medium temperature Ambient temperature	-10 to 60 °C (other temperature -10 to 60 °C ranges on request)	
Filter rating	5 μm	
Bowl capacity	Filter: Max. 50 cm ³ condensate Oil-mist lubricator: 125 cm ³	
Condensate drain	Semi-automatic Fully-automatic on request	
Weight [g]	1726	

Materials

Part	Material
Head piece (body)	Z 410
Spring bonnet	POM-brass
Diaphragm	NBR-brass
Pressure spring	Galvanised steel
Valve cone	NBR-brass
Counter-pressure spring	Stainless steel
O-ring 50 x 2	NBR
Filter element 5 μm	PE
Condensate bowl	Polycarbonate
Air deflector	POM
Baffle	PA
Oil bowl	Polycarbonate
Oil fill plug	POM-NBR
Joiner set	Z 410-steel-NBR
Sight dome	PA
Sight dome – metal	Zinc-glass-NBR

Ordering information



Port	
33	G 1/2
34	G 3/4
Options	
K-HA	Plastic bowl
M-SR	Metal bowl with sight glass
S	Bowl guard

Please use the suffix »A« to order fully-automatic drain

Order example: CL 33 K-HA

Description

- Simple block mounting with other devices
- Joiner sets (**KP 33**) required for block mounting
- Pressure setting can be locked by pushing the knob down
- **Independent of inlet pressure**
- Pressure gauge \varnothing 50 mm included
- Lockable adjusting knob (**on request**)
- Filter rating acc. to ISO 4003, glass bead test
- Bowl guard can be retrofitted without tools
- Oil can be filled under pressure

Recommended oil

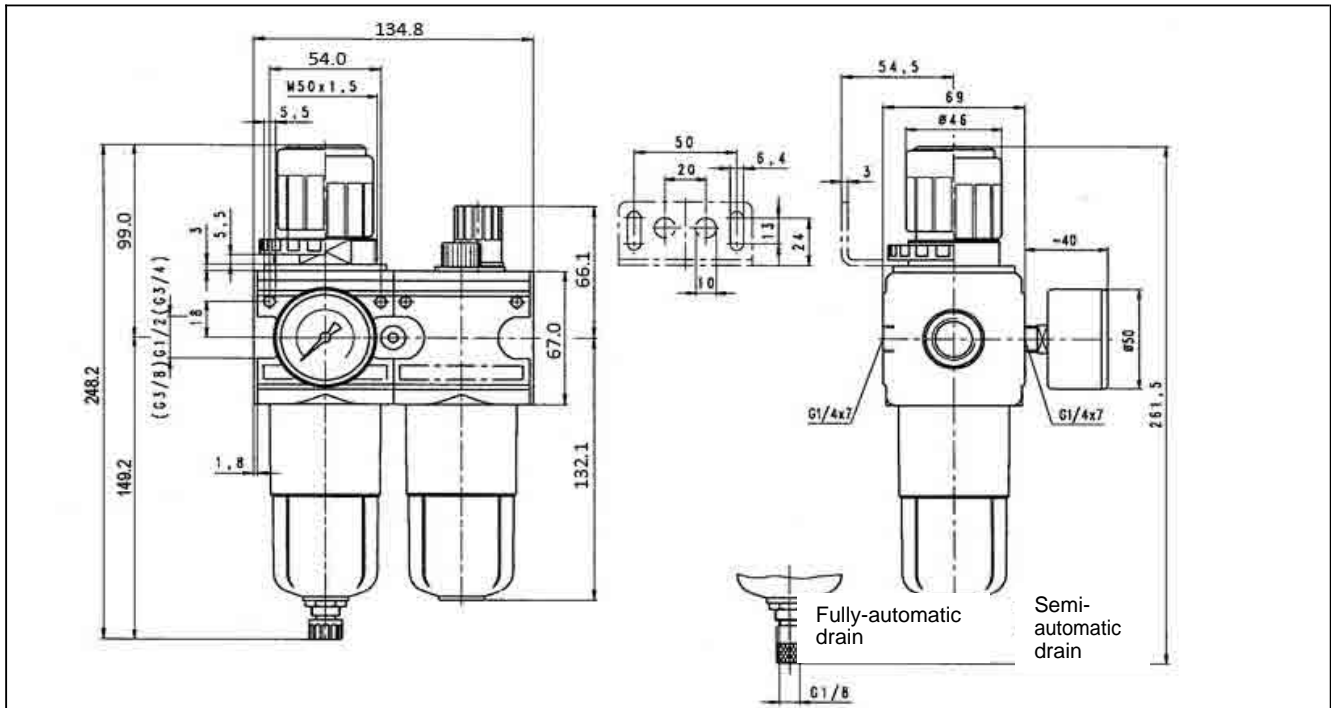
Special pneumatic oil 32

 Viscosity at 40 °C: 32 cSt [mm²/s]

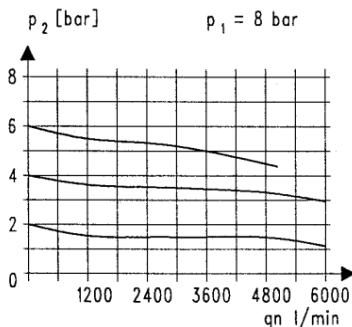
Temperature range: -35 to +85 °C

Oil bowls made of plastic (polycarbonate) are corroded by additives, anti-freeze agents and synthetic oils. We therefore recommend using mineral oils from approx. 22 to 32 cSt or up to 68 cSt in conjunction with impact tools. Metal bowls and metal sight domes should be used for all other oil grades.

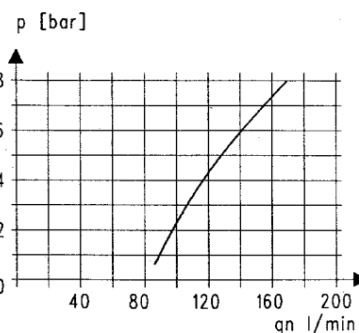
Dimensions [mm]



Flow characteristic

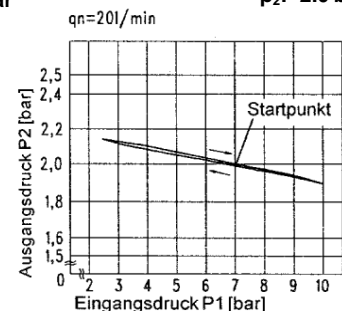


Lubricator operating limit



Hysteresis

Hysteresis of p_2 as a function of rising (falling) p_1 at a constant draw-off rate QN 20 l/min Basic setting (starting point): p_1 : 7.0 bar p_2 : 2.0 bar



Flow rates

 Flow rates at $p_1 = 10$ bar

Output pressure $p_2 =$ [bar]		6
Nominal flow ($p = 1$ bar)	QN $\frac{m^3}{h}$ l/min	210 5800

Accessories

Designation	Article No.	Ident No.
Mounting bracket with nut R 33-55	MV 50	100439
Mounting bracket with two screws, compl.	ZW 33	100441
Joiner set	KP 33	100442
Joiner set for narrow diverter block Metal	KP 33 Z	100443
bowl with sight glass (filter) Metal bowl	MS 33 FS	100502
with sight glass and fully-automatic drain valve (filter)	MS 33 FS-A	100503
Metal bowl with sight glass (lubricator)	MS 33 NS	100549
Polycarbonate bowl with semi-automatic drain valve (filter)	KS 33 F-HA	100504
Polycarbonate bowl with fully-automatic drain valve (filter)	KS 33 F-A	100505
Polycarbonate bowl (lubricator)	KS 33 N	100548
Automatic drain	655.6.900	100362
Bowl guard	SK 33	100506

Main spare parts

Part	Article No.	Ident No.
Set of wearing parts	22.1833.4	100444
Sight dome (metal)	1233.7.909	100393
Sight dome (polycarb.)	1233.7.990	100392
Filter element 5 μ m	633.6.905	100507
Pr. gauge 50 mm, G1/4	206-KD	
0 to 10 bar	207-KD	101677
0 to 16 bar		101678

Article No.	Ident No.
CL 33 K-HA	100568
CL 34 K-HA	100569
CL 33 S	100573
CL 34 S	100574
CL 33 M-SR	100578
CL 34 M-SR	100579