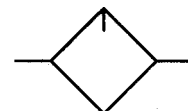




## Micro oil-mist lubricator

Size 0

**L 05**  
G 1/8

**L 06**  
G 1/4


### Characteristics

Type	L 05	L 06
Port	G 1/8	G 1/4
Pressure gauge	Not possible	
Type of construction	Micro oil-mist lubricator	
Input pressure p <sub>1</sub>	<b>Max. 16 bar</b> (in combinations: max. 12 bar)	
Mounting position	Vertical	
Mounting type	In-line	
Medium temperature	-10 to 60 °C (other temperature	
Ambient temperature	-10 to 60 °C ranges on request)	
Bowl capacity	Max. 35 cm <sup>3</sup>	
Drip rate at qv = 1000 l/min	10 to 20 drops/min (recommended value)	
Oil grade	HL 25 acc. to DIN 51524 - ISO VG 32	
Weight [g]	230	

**Important: Block mounting with other devices: p<sub>1</sub> = max. 12 bar**

### Materials

Part	Material
Head piece (body)	Z 410
O-ring 30 x 2	NBR
Oil bowl	Polycarbonate
Sight dome	PA
Sight dome - metal	Zinc-glass-NBR
Oil bowl - metal	Z 410
Back pressure valve	NBR

### Ordering information



Order example: **L 05 K**

Port	
<b>05</b>	G 1/8
<b>06</b>	G 1/4
Options	
<b>K</b>	Plastic bowl
<b>M</b>	Metal bowl

Important

### Description

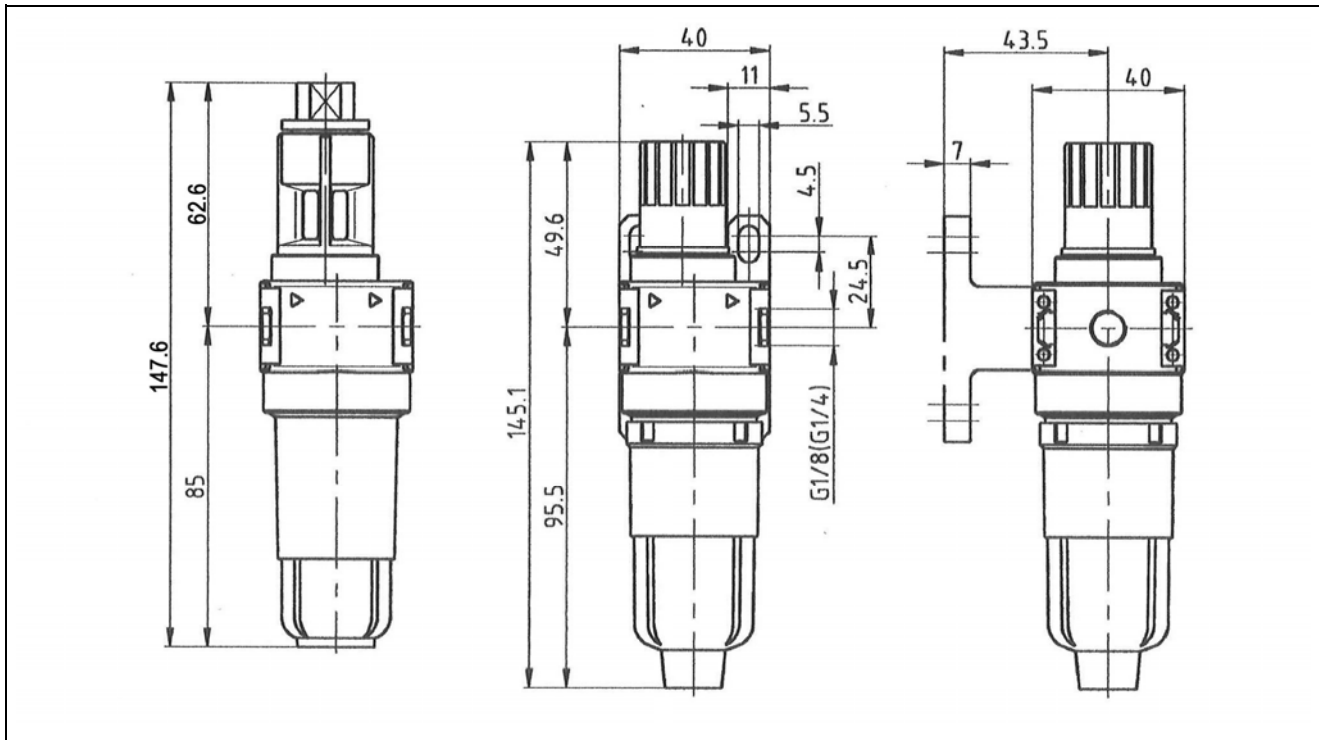
- Block design
- Simple block mounting with other devices using conical clamps; **p<sub>1</sub> = max. 12 bar**
- Joiner sets (**KP 05**) required for block mounting
- Flow direction indicated by arrows
- **Entry in direction of arrow**
- Bowl must be dismantled to refill with oil
- Bowl guard cannot be fitted

### Recommended oil

#### Special pneumatic oil 32

Viscosity at 40°C: 32 cSt [mm<sup>2</sup>/s]  
Temperature range: -35 to +85°C

Oil bowls made of plastic (polycarbonate) are corroded by additives, anti-freeze agents and synthetic oils. We therefore recommend using mineral oils from approx. 22 to 32 cSt or up to 68 cSt in conjunction with impact tools. Metal bowls and metal sight domes should be used for all other oil grades as well as anti-freeze agents.

**Dimensions [mm]**

**Flow rates**

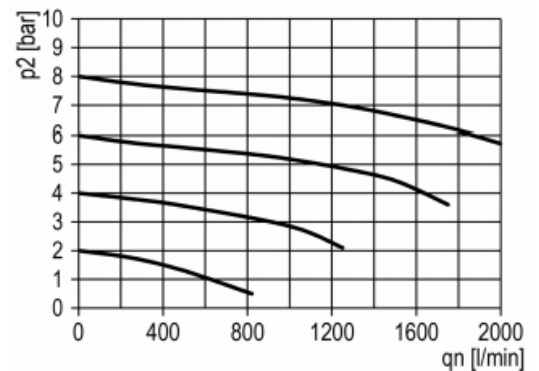
Output pressure p <sub>2</sub> [bar]			<b>6</b>	
Nominal flow ( $\Delta p = 1$ bar)	QN l/min		1150	

**Accessories**

Designation	Order No.
Mounting bracket (kit)	ZW 05
Joiner set(s) for block mounting with other devices	KP 05
Metal bowl	740/11
Polycarbonate bowl	740/01

**Main spare parts**

Part	Part No.
Sight dome, cmpl.	1233.7.990
Sight dome, metal	1233.7.909

**Flow characteristic**

**Öleransprechgrenze**
