



## Constant-pressure regulator

Size 1

**737.301 to 737.314**

G 1/4 (red.)

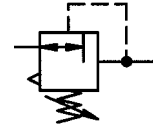
G 3/8

0.5 to 3 bar

0.5 to 6 bar

0.5 to 10 bar

0.5 to 16 bar



### Characteristics

<b>Order No.</b>	<b>737.311</b>	<b>737.312</b>	<b>737.313</b>	<b>737.314</b>
<b>Port</b>	<b>G 3/8</b>			
<b>Order No.</b>	<b>737.301</b>	<b>737.302</b>	<b>737.303</b>	<b>737.304</b>
<b>Port</b>	<b>G 1/4 (reduced)</b>			
Pressure gauge port	G 1/4			
Type of construction	Diaphragm pressure regulator with self-relieving design			
	<b>Special versions on request</b> e.g. - Reverse flow port closed			
Max. input pressure p <sub>1</sub>	25 bar			
Control range p <sub>2</sub>	0.5 to 6 bar / 0.5 to 10 bar / 0.5 to 16 bar / 0.5 to 25 bar			
Mounting position	Any / <b>note direction of arrow</b>			
Mounting type	Panel mounting, hole Ø20.5 Bracket			
Medium temperature	-10 to 90 °C			
Ambient temperature	-10 to 90 °C			
Weight [g]	950 / 1090 with pressure gauge			

### Description

- Standard design
- Double nipples (G 3/8) required for block mounting with other devices
- Pressure setting by means of adjusting screw with plastic knob, setting can be locked with lock nut
- Flow direction indicated by arrows
- **Entry in direction of arrow**
- Working pressure remains virtually **constant, regardless** of system pressure fluctuations and air consumption
- Pressure gauge Ø63 included, can be mounted at both ends
- Panel mounting with nut and washer on cover
- Wall mounting with mounting bracket on cover

### Materials

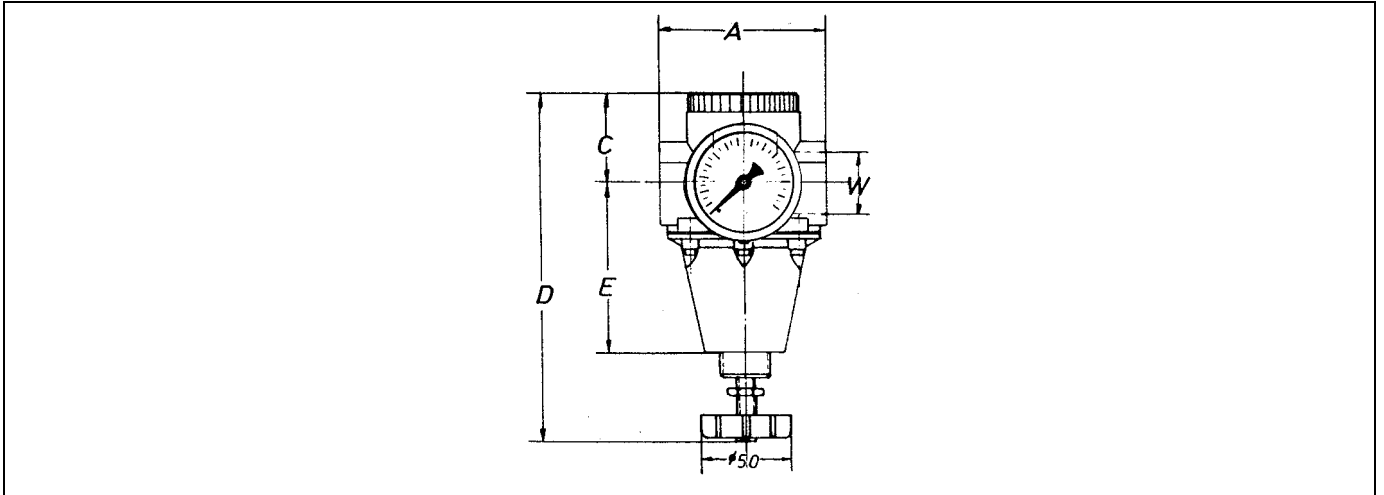
Part	Material
Head piece (body)	Zinc - Z 410
Spring bonnet/adjusting screw	Zinc - Z 410/brass
Diaphragm →	NBR-brass
Pressure spring	Galvanised steel
Valve cone →	NBR-brass
Counter-pressure spring	Stainless steel
O-ring 28 x 2 →	NBR

### Accessories

Designation	Order No.
Nut M 20 x 1.5 and washer	74/1
Mounting bracket with nut and washer	75/2
Double nipple G 3/8 (R 3/8 conical) for block mounting with other devices	MS2523838 MS252R3838
Reducing nipple G 3/8 male to G 1/4 female	MS251K3814

### Main spare parts

Part	Part No.
→ <b>Set of wearing parts</b> - Diaphragm, compl. - Valve cone, compl. - O-ring 28 x 2	<b>22.733.4</b>
Pr. gauge Ø63, G 1/4 0 to 4 bar 0 to 6 bar 0 to 10 bar 0 to 16 bar	215-KD 216-KD 217-KD 218-KD

**Dimensions**

**Dimensions [mm]**

Port W	Dimensions					Mounting thread	Pr. gauge	
	A	C	D	E	Adj. knob $\varnothing$		G 1/4	$\varnothing$
G 3/8	70	33	165	78	50	M 20 x 1.5	G 1/4	63
G 1/4 (red.)	77	33	165	78	50	M 20 x 1.5	G 1/4	63

**Flow rates**

 Flow rates at  $p_1 > p_2 + 2 \text{ bar}$  / G 3/8 port

Art. No.		737.301	737.302	737.303	737.304
		737.311	737.312	737.313	737.313
Output pressure $p_2 = 6 \text{ [bar]}$	QN $\text{m}^3/\text{h}$	180	150	120	96
Nominal flow ( $\Delta p = 1 \text{ bar}$ )	QN $\text{l}/\text{min}$	3000	2500	2000	1600