

Features

- Pilot-controlled 3/2-5/2-way gate valve with threaded connections and flange pattern acc. to *NAMUR*
- Optional function: **3/2 NC** or **5/2**
- The body is completely sealed to prevent the ingress of liquids, dust and other dirt particles
- Manual override (standard)

General

Differential pressure	2 – 10 bar [1 bar = 100 kPa]
Permissible static pressure	10 bar
Flow rate (Q _v at 6 bar)	700 l/min
Medium	Air, neutral gases, filtered
Temperature range (1)	-25°C to 60°C (3)
Sealant	NBR PUR (polyurethane)

(1) At temperatures below zero the medium may freeze and damage the valve

Design features

Body	: Aluminium, anodised black
Adapters + end pieces	: Glass fibre-reinforced polyamide (PA+FG)
Valve trim	: Die-cast zinc, steel, acetal (POM), aluminium
Seal	: NBR + PUR
Armature of magnet and guide pipe	: Stainless steel
Vent port	: For connecting M 5
Insulation class	: F
End ring	: Copper
Electrical connection	: Connector socket Pg 9P, 3 x DIN 46244 Cable socket, size 22
Electrical design	: VDE 0580
Manual control	: latching

Electrical data

Voltages (2)	DC (=) 24 V 12 V
	AC (~) 24 V 115 V 230 V/50 Hz

Coil type	Power				Ambient temperature (3)	Degree of protection
	Pickup ~	Holding ~		Hot/cold =		
		(VA)	(VA)			
CM22-2.5 W	6	3.5	2.5	2.5 / 3	-25 to 60	IP 65

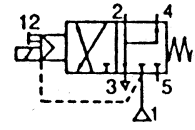
Selection table

Con- nection	Nominal width	Flow coefficient Cv		Working pressure difference (bar)		Coil type	(C)	Manual override	Exhaust air restrictor	Order No. (~ / =)	
				min.	max.						
					Air/gas ~/=						
(G)	(mm)	m ³ /h	(l/min)			~/=					
Standard: - Electro-pneumatic energising – Spring return (monostable) - Optional: with/without exhaust air restrictor											
1/4	6	0.6	10	2	10	CM22-2.5 W	1	Yes	No	551.01 230/50	
							1	Yes	Yes	551.02 24 =	
Optional: Electro-pneumatic energising and return (bistable) - With/without exhaust air restrictor											
1/4	6	0.6	10	2	10	CM22-2.5 W	2	Yes	No	On request	
							2	Yes	Yes		

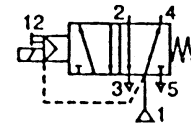
(2) Other voltages and 60 Hz on request

(3) Variants for temperatures down to -40 °C on request

(C) Design type (see dimensions)



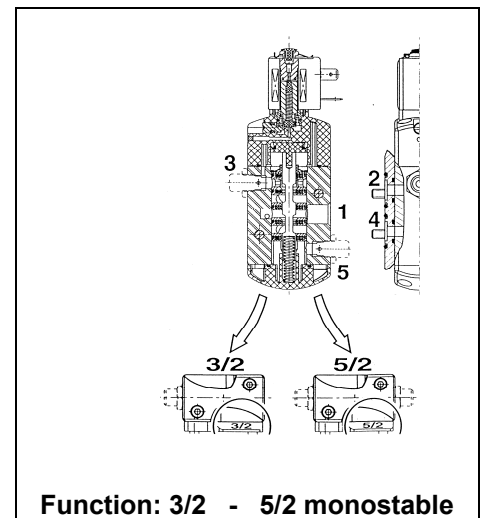
3/2



5/2

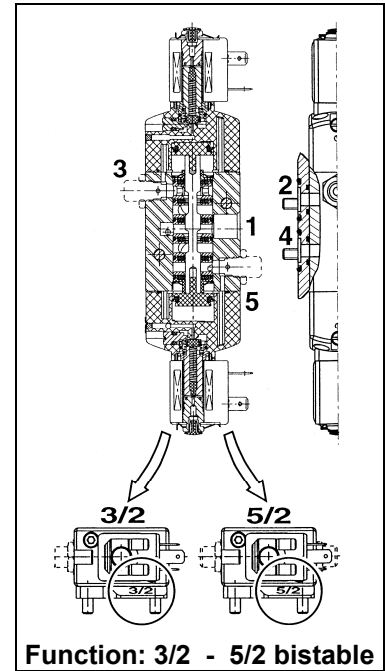
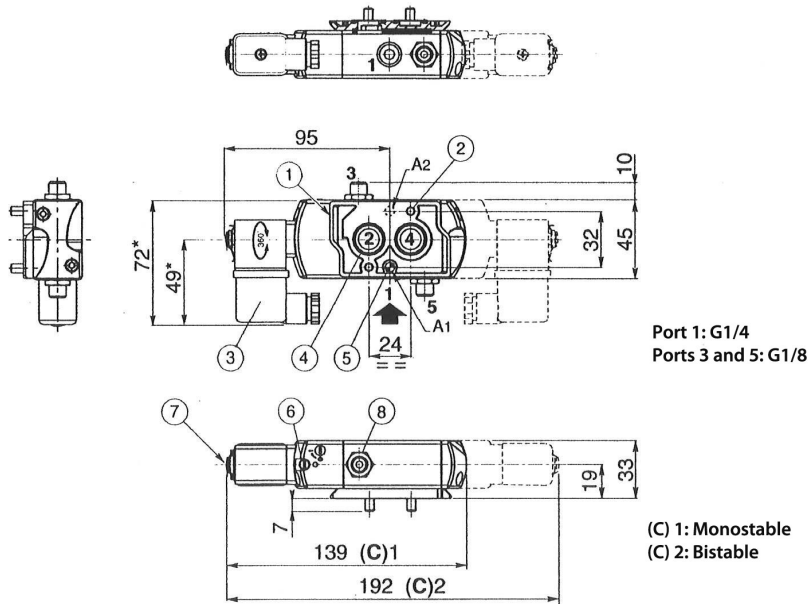
551 Series

Pilot-controlled directional gate valve
Monostable function



Function: 3/2 - 5/2 monostable

Dimensions [mm], weights [g]



1. Interchangeable plate, can be rotated
2. Fixing: 2 bolts M5 x 35
Depth 7 mm
3. Cable socket, can be rotated 180°
4. 2 O-rings (included in scope of supply)
5. 1 bore hole Ø 5 mm for assembly safeguard
 - Position A1: 3/2 function
 - Position A2: 5/2 function
6. Latching manual override
7. Port for venting the pilot valve Ø M5 with vent protection
8. Exhaust air restrictor for ports 3 and 5 (on request)

Order No.	(C)	Weight [g] (1)	
		3/2	5/2
551.01	1	324	324
551.02			

(C) Design type
(1) Including magnet and cable socket

Installation

- Any mounting position
- 3/2 – 5/2 interchangeable plate and flange pattern acc. to **NAMUR**
- The interchangeable plate must be positioned for the 3/2 or 5/2 function before the valve is assembled on the actuator
- Assembly safeguard (if required), bolts and seals are included in the scope of supply
- Threaded connections acc. to ISO 228/1
- Other pipe connections on request
- Assembly and servicing instructions are enclosed
- Replacement coils can be supplied

Special designs on request

- Flameproof bodies (EEx d, m, em, i) in accordance with **CENELEC** standards
- Flameproof and water-tight body in accordance with **NEMA** standards
- Compliance with **UL** standards
- CM25 coil type with cable socket, size 30, in accordance with ISO 4400 (**Pg 11P**)
- Coil made of polyamide
- Variants: pneumatic energising, with/without exhaust air restrictor
- Set with fixing bolts made of stainless steel
- Set with two exhaust air restrictors
- Cable socket with LED and suppressor circuit or pre-cut cable

Coils

Voltage [V]	Part No.	
	~	24
230		430-4886
115		430-4884
=	24	430-4869