



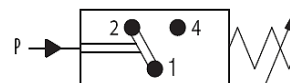
↻360°

## Pressure switch

**DS 6001 DS 6013**

0,3 - 2,0 bar  
 1,0 - 10,0 bar  
 10,0 - 70,0 bar

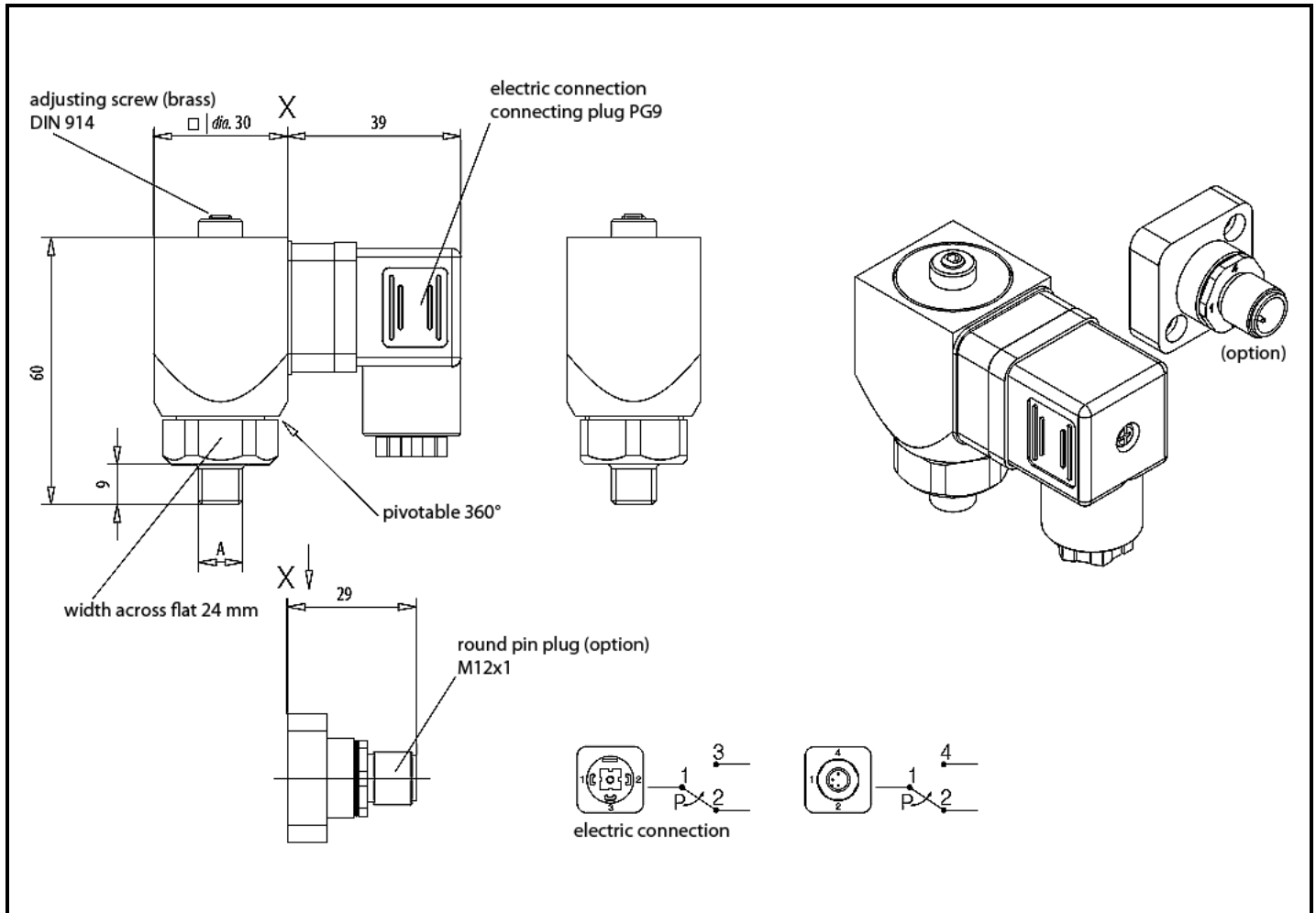
Changeover contact



## Characteristics

Order-No	DS 6001	DS 6002	DS 6003					
Adjustment range [bar]	0,3 - 2,0	1,0 - 10,0	10,0 - 70,0					
Anschl ss	G 1/8 (ISO 228)							
Order-No	DS 6011	DS 6012	DS 6013					
Adjustment range [bar]	0,3 - 2,0	1,0 - 10,0	10,0 - 70,0					
Anschluss	G 1/4 (ISO 228)							
General								
Type of construction	Spring-loaded diaphragm		Spring-loaded piston					
Diaphragm	NBR <i>Options: KM, CR, EPDM, KALREZ</i>		UR <i>Option: NBR, FKM</i>					
Mounting type	Male thread							
Thread >A<	G 1/4, G 1/8 standard (ISI 228)		<i>Options: M12 x 1,5, M10 x 1 conical on request</i>					
Mounting position	any							
Ambient temperature	-25 °C to +85 °C,		higher temperature range on request					
Media	Air, hydraulic oil, oil emulsions, water		other media on request					
Weight [g]	230							
Mechanical endurance	10 <sup>6</sup> switching cycles							
Material	Steel, - zinc plated		<i>Options: brass, stainless steel</i>					
Adjustment	by hexagon socket screw (M5 DIN 914)							
Pneumatic								
Operating pressure max. [bar]	2	10	70					
Burst pressure [bar]	5	20	120					
Adjustment	Under pressure							
Differential reset pressure	15% - 25%							
Electrical								
Switching voltage ~ / =	Max. 250 V							
Switching element	Microswitch, silver plated contact		<i>option: gold plated</i>					
Rated voltage	250 V in accordance with EU-directive							
Rated frequency	Max. 100 Hz							
Max. switching frequency	200/min.							
No. of poles	4							
Electrical connection	Electrical plug PG 9, DIN EN 175301-803..... <i>option: round pin plug M 12x1</i>							
Degree of protection	IP 65 <b>with mounted plug</b> , naked pins IP 00 DIN 40050							
Switching capacity	AC			DC				
Max. voltage	125 V	250 V		30 V	50 V	75 V	125 V	250 V
Resistive load	5 A	5 A		5 A	2 A	1 A	0,5 A	0,25 A
Incandescent lamp load	0,5 A	0,5 A		0,5 A	0,4 A	0,3 A	0,2 A	0,1 A
Inductive load	5 A	5 A		5 A	2 A	1 A	0,06 A	0,03 A

## Maße [mm]



## Attention

We recommend not using the pressure switch as the sole means of disconnecting a device from the mains. Currents which are too high may damage the contacts. Spark-quenching devices must be provided in inductively loaded DC circuits, e.g. magnets.

## Standards and directives

## ● EG Directive 2006/95/EG

## Applied aligned norms

EN 60947-1:2008 DIN VDE 0660 Teil 100:2008-04  
 Niederspannungsschaltgeräte, Teil 1: allgemeine Festlegung

EN 60947-5-1:2010 DIN VDE 0660 Teil 200:2010-04  
 Niederspannungsschaltgeräte, Teil 5-1: Steuergeräte und Schaltelemente – elektromechanische Steuergeräte

## ● RoHS conform

### Equipment plug

Article nr.	Type number	Description
100282	1920.11P4	Equipment plug for pressure switch