

# Double threaded nipple, reducing

Stainless steel 1.4408

**STAINLESS STEEL**

Art. No. 118544

Type No. DGNR134ES4408RED



Exemplary illustration

## Technical data

Max. working pressure	20 bar
Male thread 1	R 1
Male thread 2	R 3/4
L1	39.5 mm
a/f	34 mm
Thread form	tapered male thread
Standard thread	DIN EN ISO 7-1
Version	Hexagonal

From thread size of 1 inch, we recommend using an adjustable open-end wrench.

To ensure a proper sealing of the cylindrical threads (G) and tapered threads (R/Rp) we recommend using a suitable sealant (e.g. hemp, sealing tape or suitable industrial adhesive).

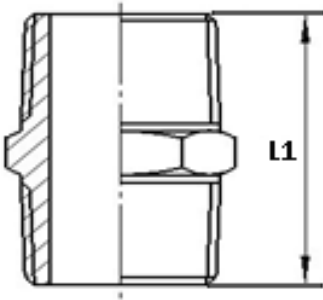
## Commercial data

Customs tariff number	73072910
Country of origin	CN
eCl@ss 5.1.4	22360606
eCl@ss 9.0	22560206
UNSPSC_Code_v190501	40173303
UNSPSC_CodeDesc_v190501	Stainless steel pipe nipple

## Material informations

REACH SVHC1 substance name	no
CAS no. SVHC 1	no CAS No.
RoHS materials notice	RoHS compliant
REACH Info	no SVHC substance included

## Dimensions



Male thread 1	Male thread 2	L1 mm	a/f mm
R 1	R 3/4	39.5	34

From thread size of 1 inch, we recommend using an adjustable open-end wrench.

To ensure a proper sealing of the cylindrical threads (G) and tapered threads (R/Rp) we recommend using a suitable sealant (e.g. hemp, sealing tape or suitable industrial adhesive).