

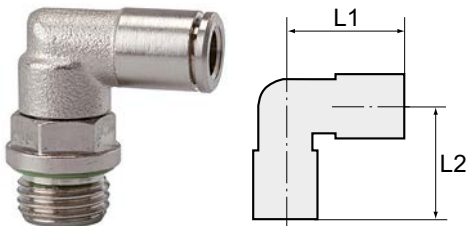
Male elbows

»metallica« series

PLUS ||

Art. No. 108894

Type No. 854.005-4



Exemplary illustration

All parts with a parallel thread are supplied with an FPM O-ring while the conical threads are coated with preCOTE 5 dispersion; all fittings in this series can thus also be used at high temperatures (medium compressed air).

Technical data

| | |
|-----------------------|--|
| Working pressure | -0.98 - 16 bar |
| Operating temperature | -20 to 150 °C |
| Series | metallica |
| Material | Nickel-plated brass |
| Medium | Compressed air |
| Sealant | FKM |
| Sleeve | Nickel-plated brass |
| Clamping ring | Stainless steel |
| Applications | Compressed air systems, welding technology, vacuum |
| Recommended hose | PA and PU |
| Version | with O-ring |
| Thread | M5 |
| For tube O.D. | 4 mm |
| L1 | 18.0 mm |
| L2 | 14.5 mm |
| a/f | 9 mm |
| Thread form | parallel male thread |
| Design | swivel type |

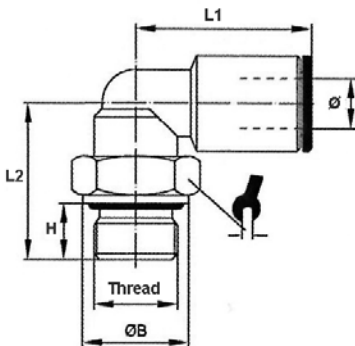
Commercial data

| | |
|-------------------------|--------------|
| Customs tariff number | 74122000 |
| Country of origin | IT |
| eCl@ss 5.1.4 | 27294201 |
| eCl@ss 9.0 | 27294201 |
| UNSPSC_Code_v190501 | 27131613 |
| UNSPSC_CodeDesc_v190501 | Air coupling |

Material informations

| | |
|----------------------------|-------------------------|
| REACH SVHC1 substance name | lead |
| CAS no. SVHC 1 | 7439-92-1 |
| RoHS materials notice | RoHS compliant |
| REACH Info | contains SVHC substance |

Dimensions



| Thread | For tube O.D. | Ø B | H | a/f | L1 | L2 |
|--------|---------------|-----|-----|-----|------|------|
| | mm | mm | mm | mm | mm | mm |
| M5 | 4 | 8.0 | 4.0 | 9 | 18.0 | 14.5 |

Accessories

| | Art. No. | Type No. |
|---|----------|----------|
| Plug nipple »metallica«, hose exterior Ø 4, nickel-plated brass | 142787 | 8865.004 |