


**Filter**

Size 4

**650 F**

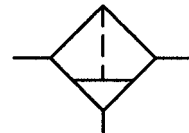
G 1¼ (red.)

**650 G**

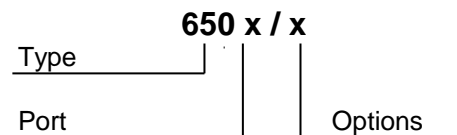
G 1½

40 µm

8 µm


**Characteristics**

Type	650 F	650 G
Port	G 1¼ (reduced)	G 1½
Type of construction	Centrifugal filter Sintered filter element  Special versions on request	
Input pressure p <sub>1</sub>	Max. 16 bar with plastic bowl Max. 25 bar with metal bowl	
Input pressure p <sub>1</sub> with fully-automatic drain	Max. 16 bar Min. 1.5 bar	
Mounting position	Vertical, drain plug at bottom	
Mounting type	Two through holes	
Medium temperature	-10 to 60 °C (other temperature -10 to 60 °C ranges on request)	
Ambient temperature	-10 to 60 °C -10 to 60 °C	
Filter rating	40 µm (standard), 8 µm	
Bowl capacity	Max. 300 cm <sup>3</sup> condensate	
Condensate drain	Manual, semi-automatic Fully-automatic on request	
Weight [g]	1500	

**Ordering information**

**Order example: 650 G/K-HA**

Port	
F	G 1¼
G	G 1½
Options	
K-HA	Plastic bowl
M	Metal bowl
S	Bowl guard

Please use the suffix **A**« to order  
fully-automatic drain

**Description**

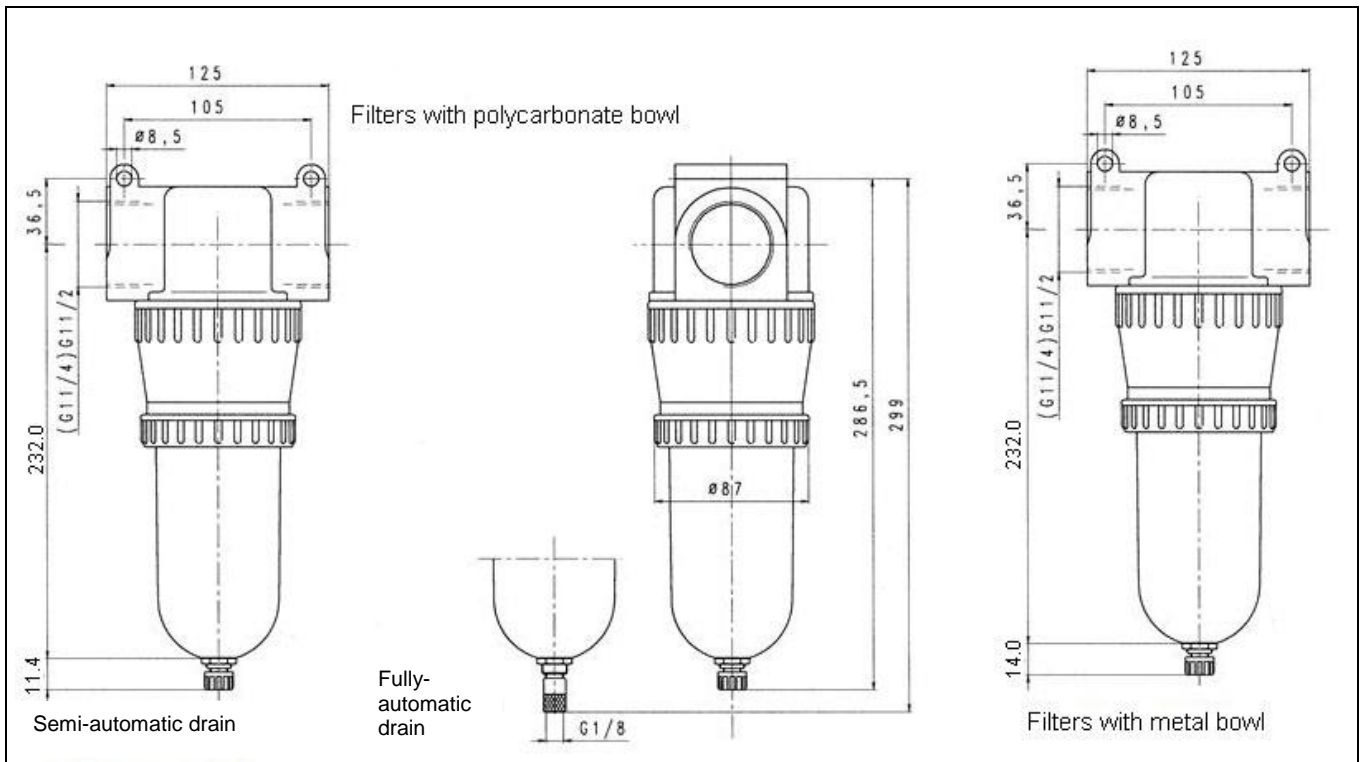
- Standard design
- Flow direction indicated by arrows
- Entry in direction of arrow
- Filter rating acc. to ISO 4003, glass bead test

**Materials**

Part	Material
Head piece (body)	Zinc - Z 410
O-ring 68 x 3	NBR
Filter element 40 µm	Polyethylene
Condensate bowl	Polycarbonate
Air deflector	ABS
Baffle	PA

**Accessories**

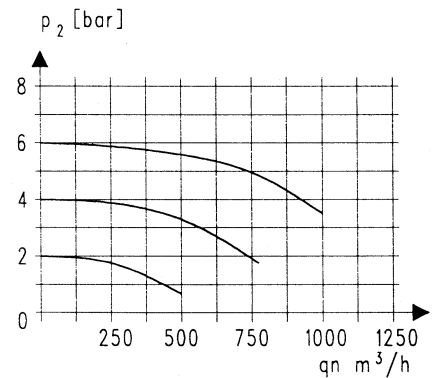
Designation	Order No.
Fully-automatic drain (external)	65/0-N
Fully-automatic drain (internal)	655.6.900
Plastic bowl	650/2-HA
Metal bowl	650/12
Bowl guard	SK 03
Filter element 8 µm	655.6.908
Filter element 40 µm	655.6.940



### Flow rates

Output pressure $p_2$		2	4	6
Nominal flow ( $\Delta p = 1$ bar)	QN $m^3/h$	440	570	750
	QN $l/min$	7400	9500	12500

### Flow characteristic



### Main spare parts

Part	Part No.
Filter element 40 $\mu m$	655.6.940